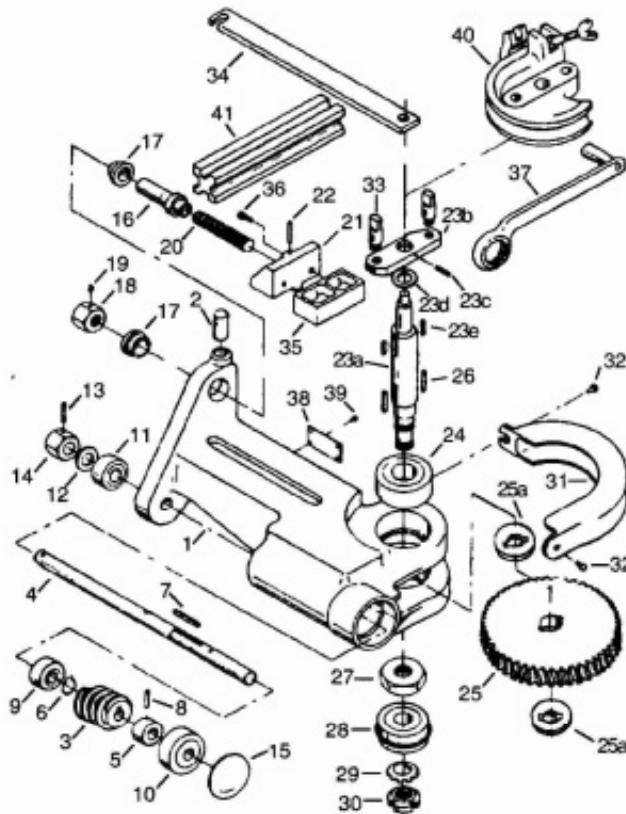


# Parts List

## Model 420 - Tube Bender



Part	Part No.	Required	Part	Part No.	Required		
1	Body . . . . .	1-762-85	1	23b	Center Post Plate . . . . .	1-762-87	1
2	Dowel Pin . . . . .	5/8 x 1-3/4	1	23c	Roll Pin . . . . .	1/4 x 7/8 RP	1
	Worm and Shaft Sub-Assembly . . . . .	1-762-7	1	23d	Washer . . . . .	1-762-89	1
3	Worm . . . . .	1-762-8	1	23e	Key . . . . .	12-2869-1-5	2
4	Shaft . . . . .	1-762-9	1	24	Double Row Ball Bearing . . . . .	55507	1
5	Collar . . . . .	1-762-10	1	25	Worm Gear . . . . .	1-762-23	1
6	Snap Ring . . . . .	5100-75	1	25a	Washer . . . . .	1-762-101	2
7	Key . . . . .	12-2869-1-3	1	26	Worm Gear Key . . . . .	12-2869-1-6	2
8	Driv-Lok Pin, Type A . . . . .	1/4 x 1 DLP	1	27	Worm Gear Retaining Nut . . . . .	1-14	1
9	Double Row Ball Bearing . . . . .	1212-35	1	28	Single Row Ball Bearing . . . . .	499604	1
10	Single Row Ball Bearing . . . . .	UDP 95	1	29	Lockwasher . . . . .	W-04	1
11	Double Row Ball Bearing . . . . .	AT 4853	1	30	Locknut . . . . .	N-04	1
12	Washer . . . . .	1-762-11	1	31	Gear Guard . . . . .	1-762-25	1
13	Driv-Lok Pin, Type E . . . . .	1/4 x 1-1/4 DLP	1	32	Round Head Machine Screw . . . . .	1/4-28 x 5/8 RH	2
14	Drive Nut . . . . .	1-762-12	1	33	Drive Pin . . . . .	1-762-88	2
15	Bearing Retainer Plug . . . . .	41 x 32	1	34	Tie Bar . . . . .	1-762-92	1
16	Pilot Adjusting Screw . . . . .	1-762-14	1	35	Slide Block Adapter & Pin Sub-Assem	1-762-29	1
17	Oilite Flange Bearing . . . . .	FF-1102-6	2	35a	Adaptor . . . . .	1-762-30	1
18	Vise Jaw Nut . . . . .	1-762-15	1	35b	Dowel Pin . . . . .	1/4 x 3/4 DP	1
19	Vise Jaw Nut Pin . . . . .	1-762-16	1	36	Socket Head Cap Screw . . . . .	5/16-18 x 3/4 SH	1
20	Vise Jaw Adjusting Screw . . . . .	1-762-91	1	37	Crank-Handle Sub-Assembly . . . . .	1-762-31	1
21	Vise Jaw . . . . .	1-762-90	1	38	Name Plate . . . . .	1-2063-2	1
22	Vise Jaw Adjusting Screw Roll Pin	1/4 x 1-7/8 RP	1	39	Drive Screw . . . . .	.0 x 1/8	4
23	Center Post Sub-Assembly . . . . .	1-762-99	1	*40	Radius Block		
23a	Center Post . . . . .	1-762-86	1	*41	Combination Slide Blocks		

\* See Tube Bending Equipment Catalog